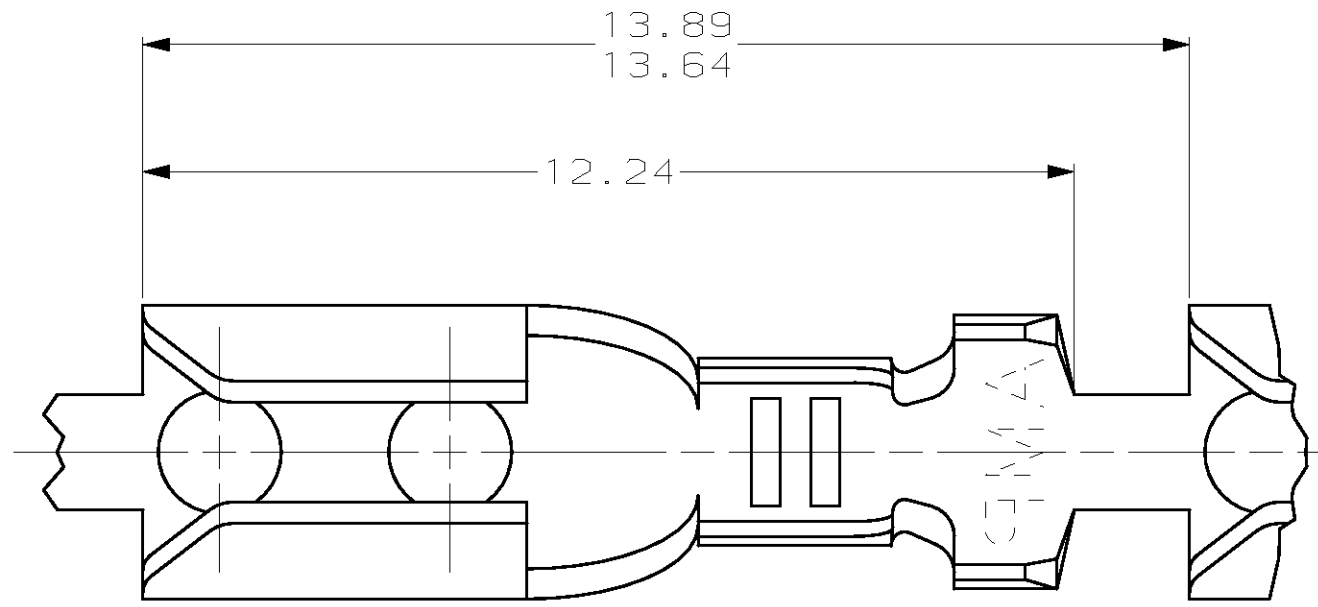
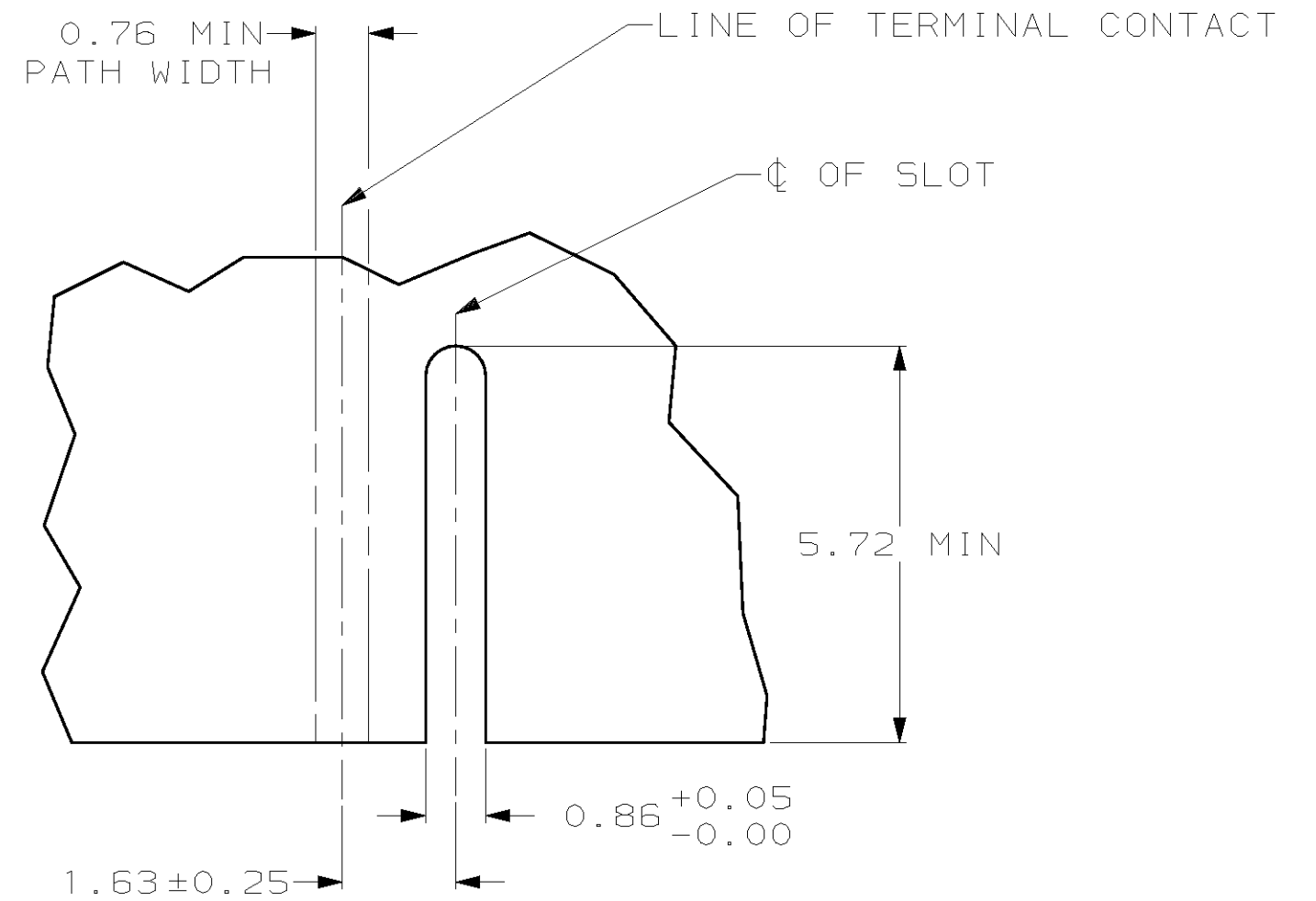


THIS DRAWING IS UNPUBLISHED. RELEASED FOR PUBLICATION
 (C) COPYRIGHT 19 BY AMP INCORPORATED. ALL RIGHTS RESERVED.

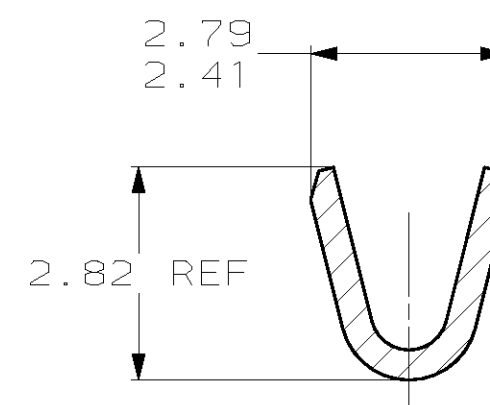
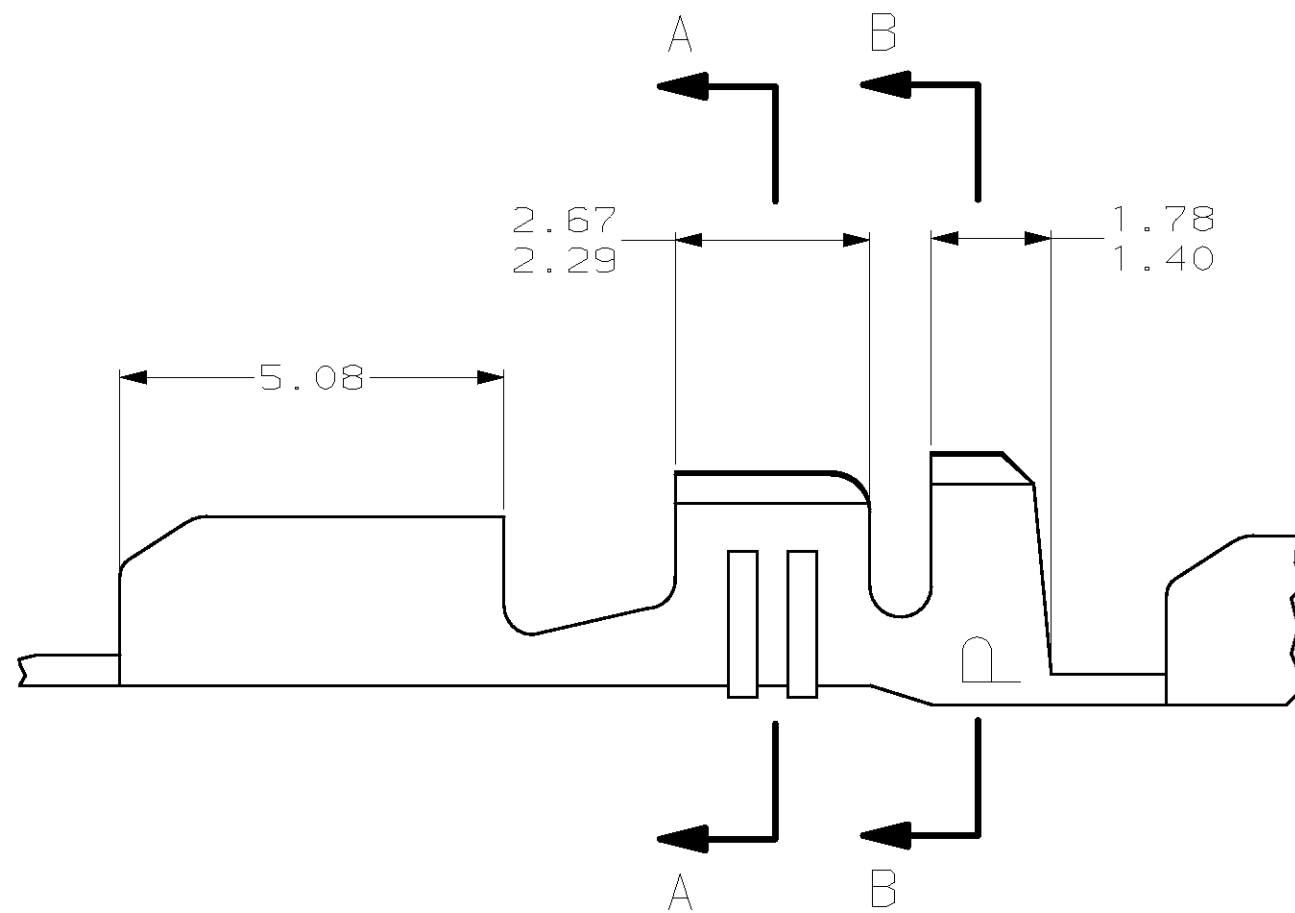
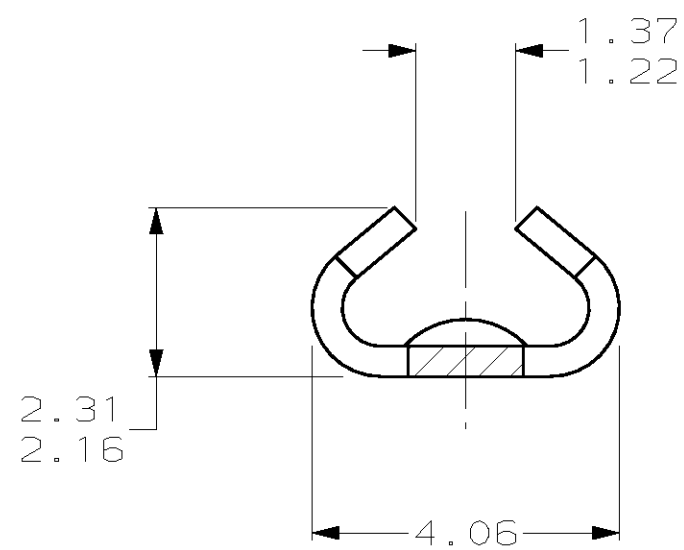
LOC	DIST	REVISIONS			
P	LTR	DESCRIPTION	DATE	DWN	APVD
CM	52	G	REV & REDWN PER EC 0L30-0096-97	1-30-97	TB RS



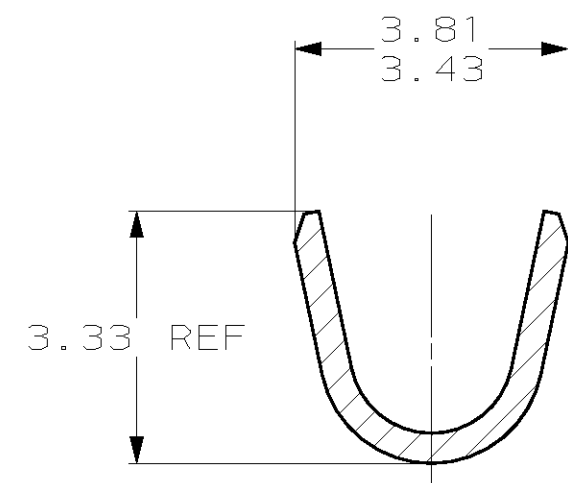
1. WIRE RANGE: 0.3 - 0.9 MM² (22 - 18 AWG)
2. INSULATION RANGE: 0.51 - 1.27



RECOMMENDED CUT OUT FOR 1.57 THICK P.C. BOARD



SECTION A-A



SECTION B-B

1.22	.048	2.29	.090	3.81	.150	-	-
0.86	.034	2.16	.085	3.43	.135	-	-
0.76	.030	2.03	.080	3.33	.131	13.89	.547
0.41	.016	1.78	.070	2.82	.111	13.64	.537
0.25	.010	1.63	.064	2.79	.110	12.24	.482
0.13	.005	1.57	.062	2.67	.105	5.72	.225
0.05	.002	1.40	.055	2.41	.095	5.08	.200
0.00	.000	1.37	.054	2.31	.091	4.06	.160
MM	IN	MM	IN	MM	IN	MM	IN

CONVERSION TABLE

METRIC

60156-2
PART NUMBER

THIS DRAWING IS A CONTROLLED DOCUMENT.		DWN	T. BECK	1-30-97
DIMENSIONS:		CHK	R. SWING	1-30-97
mm		APVD	A. BEDDICK	2-05-97
TOLERANCES UNLESS OTHERWISE SPECIFIED:		PRODUCT SPEC	NAME	
0 PLC ±		APPLICATION SPEC	AMP Incorporated Harrisburg, PA 17105-3608	
1 PLC ±		WEIGHT	TERMINAL, 22-18 AWG, .080-.100 INSULATION, AMP-EDGE™	
2 PLC ±0.13		CUSTOMER DRAWING	SIZE	CAGE CODE
3 PLC ±		SCALE	A2	00779
4 PLC ±		SHEET	1	OF
ANGLES ±		REV	G	
FINISH		DRAWING NO		
0.41 BRASS		A2 00779 C-60156		